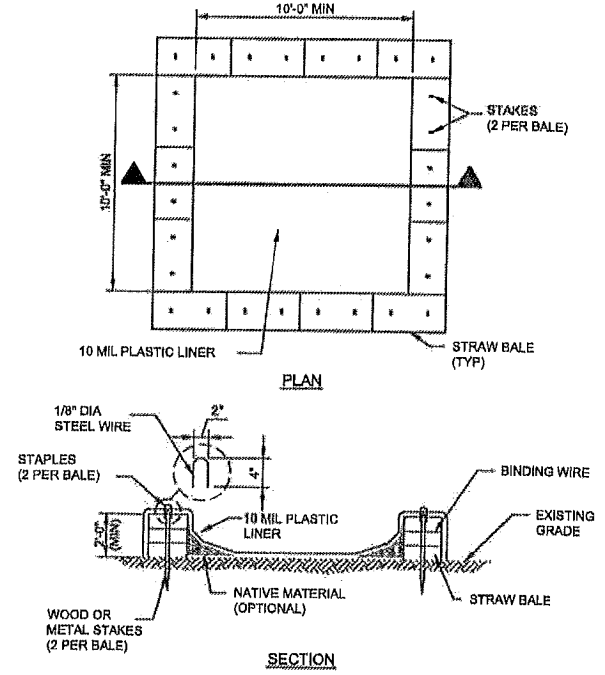


- NOTES:**
1. LOCATE THE STABILIZED CONSTRUCTION ENTRANCE AS NEEDED FOR CONSTRUCTION OPERATIONS AND REGULATORY COMPLIANCE.
  2. USE DESIGNATED STABILIZED ENTRANCE(S) FOR ALL CONSTRUCTION TRAFFIC.
  3. WIDTH "W" IS DEPENDENT ON USAGE AND SITE CONDITIONS. AT A MINIMUM, PROVIDE AND CONSTRUCT AN ENTRANCE FIFTEEN (15) FEET IN WIDTH FOR ONE-WAY TRAFFIC AND TWENTY-FOUR (24) FEET IN WIDTH FOR TWO-WAY TRAFFIC.
  4. MINIMUM SIZE OF STONE OR RECYCLED CONCRETE IS TWO (2) INCHES.
  5. A FIFTEEN (15) FOOT RADIUS IS ALSO ACCEPTABLE FOR THE RETURN PORTION OF THE ENTRANCE.
  6. CLEAN SEDIMENT FROM VEHICLES PRIOR TO ENTRANCE ONTO A PUBLIC ROADWAY. WASH VEHICLES ON AN AREA STABILIZED WITH CRUSHED STONE OR AGGREGATE WITH DRAINAGE DIRECTED AWAY FROM BOTH THE STREET AND THE STABILIZED ENTRANCE. PREVENT ALL SEDIMENT FROM ENTERING ANY STORM DRAIN, DITCH OR WATER COURSE USING ADDITIONAL BMP'S AND APPROVED METHODS.
  7. MAINTAIN THE ENTRANCE IN A CONDITION WHICH WILL PREVENT TRACKING OR FLOWING OF SEDIMENT ONTO PAVED SURFACES. THIS MAY REQUIRE PERIODIC TOP DRESSING WITH ADDITIONAL STONE OR REPLACEMENT OF TOP SURFACING AS CONDITIONS DEMAND. ALL SEDIMENT SPILLED, DROPPED, WASHED OR TRACKED ONTO PAVED SURFACES MUST BE REMOVED IMMEDIATELY.
  8. REMOVE THE ENTRANCE AT THE END OF THE CONSTRUCTION AND RESTORE AREA.

**STABILIZED CONSTRUCTION ENTRANCE DETAIL**

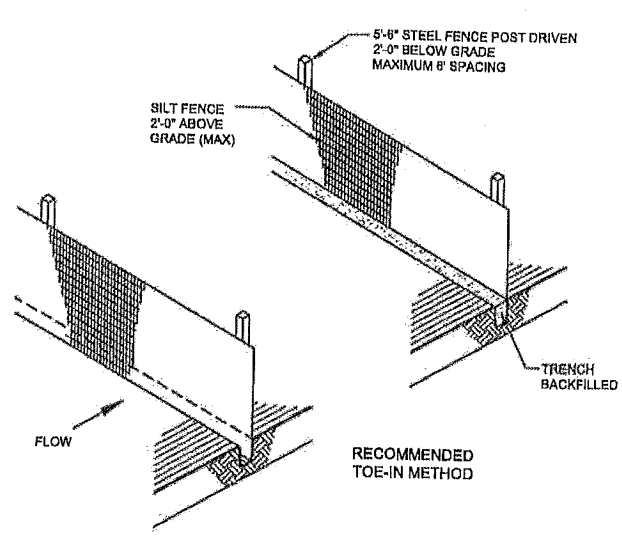
00C108



- NOTES:**
1. ADJUST SIZE TO ADEQUATELY HANDLE CONCRETE WASHING VOLUMES ASSOCIATED WITH SCHEDULED CONCRETE CONSTRUCTION.
  2. WOOD STAKES ARE A MINIMUM SIZE OF 2" X 2"
  3. DRIVE STAKES 1'-8" TO 2'-0" INTO THE GROUND.
  4. THE SOIL BASE MUST BE FREE OF ROCKS AND SHARP OBJECTS.
  5. LOCATE THE WASHOUT FIFTY (50) FEET OR MORE FROM STORM DRAINS, DITCHES, SWALES, OR WATER BODIES.
  6. REMOVE THE CONCRETE WASHOUT WHEN CONSTRUCTION IS COMPLETE AND RESTORE AREA.

**CONCRETE WASHOUT AREA DETAIL**

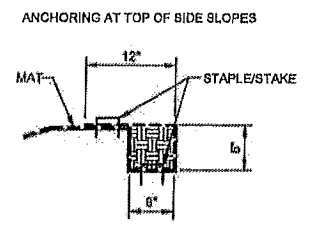
00C109



- NOTES:**
1. INSTALL STEEL POSTS WHICH SUPPORT THE SILT FENCE ON A SLIGHT ANGLE TOWARD THE ANTICIPATED RUNOFF SOURCE.
  2. TRENCH AND INSTALL SILT FENCE WITH A SPADE OR MECHANICAL TRENCHER SO THAT THE DOWNSLOPE FACE OF THE TRENCH IS FLAT AND PERPENDICULAR TO THE LINE OF FLOW.
  3. WHEN TRENCHED IN WITH A SPADE THE TRENCH SHOULD BE A MINIMUM OF 6" DEEP AND 4" WIDE TO ALLOW FOR THE SILT FENCE TO BE PLACED IN THE GROUND AND BACKFILLED.
  4. SECURELY FASTEN SILT FENCE TO EACH OF THE STEEL SUPPORT POSTS.
  5. INSPECT FREQUENTLY AND AFTER RAINFALL. REPAIR OR REPLACE PROMPTLY AS NEEDED.
  6. REMOVE SILT FENCE WHEN IT HAS SERVED ITS USEFULNESS SO AS NOT TO BLOCK OR IMPEDE STORM FLOW OR DRAINAGE AND RESTORE AREA.
  7. UNIFORMLY DISTRIBUTE SEDIMENT TRAPPED BY THIS PRACTICE ON THE SOURCE AREA PRIOR TO TOPSOILING.

**SILT FENCE TOE-IN DETAIL**

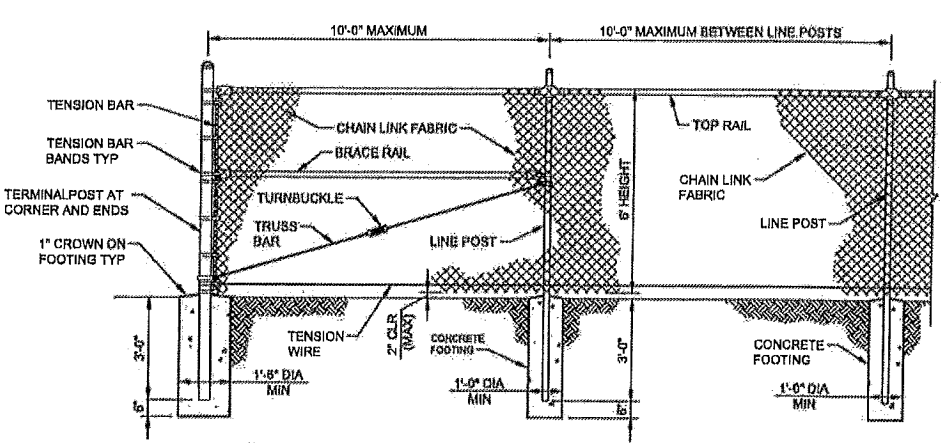
00C110



- NOTES:**
1. PREPARE SOIL BEFORE INSTALLING BLANKETS, INCLUDING APPLICATION OF FERTILIZER AND SEED.
  2. BEGIN AT THE TOP OF THE SLOPE BY ANCHORING THE BLANKET IN A 6" DEEP X 6" WIDE TRENCH WITH APPROXIMATELY 12" OF BLANKET EXTENDED BEYOND THE UP-SLOPE PORTION OF THE TRENCH. ANCHOR THE BLANKET WITH A ROW OF STAPLES/STAKES APPROXIMATELY 12" APART IN THE BOTTOM OF THE TRENCH. BACKFILL AND COMPACT THE TRENCH AFTER STAPLING. APPLY SEED TO COMPACTED SOIL AND FOLD REMAINING 12" PORTION OF BLANKET BACK OVER SEED AND COMPACTED SOIL. SECURE BLANKET OVER COMPACTED SOIL WITH A ROW OF STAPLES/STAKES SPACED APPROXIMATELY 12" APART ACROSS THE WIDTH OF THE BLANKET.
  3. ROLL THE BLANKETS DOWN OR HORIZONTALLY ACROSS THE SLOPE. BLANKETS WILL UNROLL WITH APPROPRIATE SIDE AGAINST THE SOIL SURFACE. ALL BLANKETS MUST BE SECURELY FASTENED BY PLACING STAPLES/STAKES IN APPROPRIATE LOCATIONS. SEE MANUFACTURER'S INSTALLATION INSTRUCTIONS.
  4. THE EDGES OF PARALLEL BLANKETS MUST BE STAPLED WITH APPROXIMATELY 2"-5" OVERLAP DEPENDING ON BLANKET TYPE. CONSECUTIVE BLANKETS SPICED DOWN THE SLOPE MUST BE PLACED END OVER END (SHINGLE STYLE) WITH AN APPROXIMATE 3" OVERLAP. STAPLE THROUGH OVERLAPPED AREA, APPROXIMATELY 12" APART, ACROSS ENTIRE BLANKET WIDTH.
  5. CONSULT MANUFACTURER FOR ADDITIONAL REQUIREMENTS.

**EROSION CONTROL BLANKET ANCHOR DETAIL AND INSTALLATION NOTES**

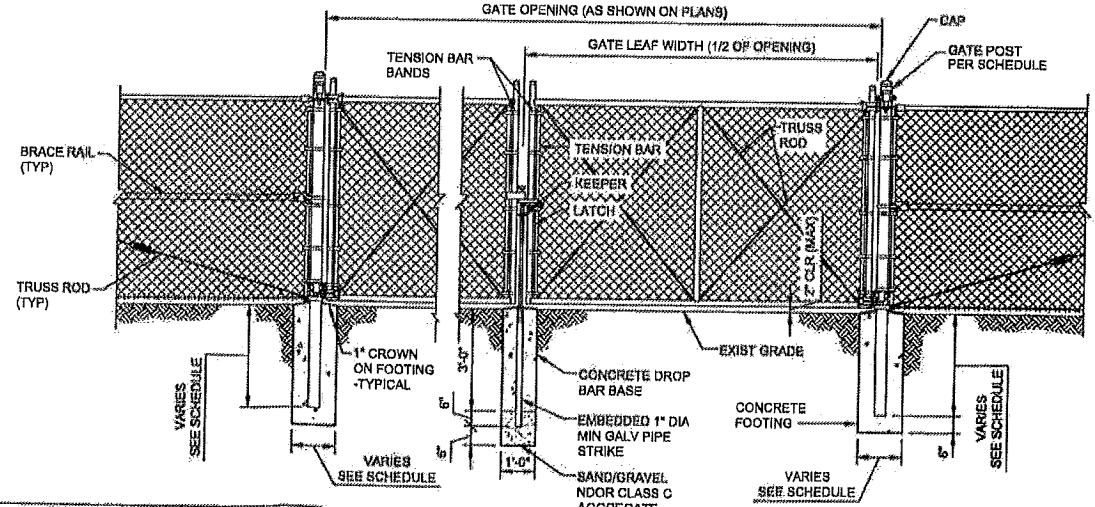
00C109



- NOTES:**
1. INSTALL BRACING AT ALL CORNER, END, GATE OR PULL POSTS.
  2. INSTALL PULL POST AT HORIZONTAL BENDS, SHARP BREAKS IN VERTICAL GRADES, AT SPACED INTERVALS OF APPROXIMATELY 390' ON STRAIGHT RUNS, OR AS DIRECTED BY THE ENGINEER.
  3. SPLICES IN WOVEN WIRE FABRIC SHALL ONLY BE ALLOWED AT CORNER, GATE END, OR PULL POSTS.
  4. PROVIDE EQUAL BRACING ON BOTH SIDES OF CORNER, GATE OR PULL POST INSTALLATIONS.
  5. SEE INFORMATION REGARDING FENCE GROUNDING ON DETAIL 7/00E501.

**SECURITY FENCE DETAIL**

00C103

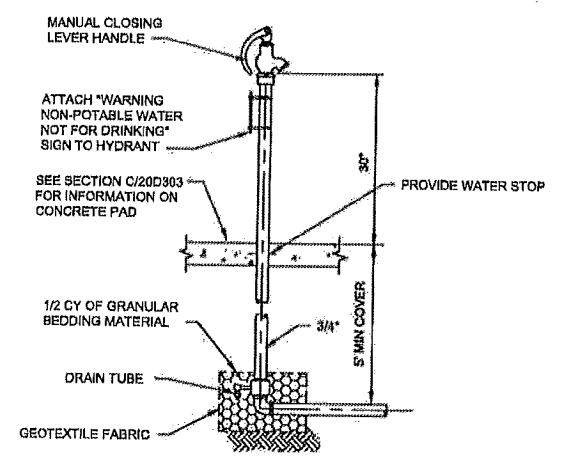


- NOTE:**
1. BRACING SHALL BE PROVIDED AT ALL GATE POSTS. SEE DETAIL 5/01C503

**DUAL SECURITY SWING GATE**

00C103

GATE POST SCHEDULE			
LEAF SPAN	NOMINAL PIPE SIZE (NPS)	MIN FOUNDATION DIAMETER	MIN POST DEPTH
5'-6"	2.875" OD	12"	3'-0"
6'-12"	4.00" OD	18"	3'-0"
12'-18"	6.625" OD	30"	3'-0"



**TYPICAL NON-FREEZE SERVICE WATER YARD HYDRANT DETAIL**

00C103

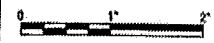


ISSUE	DATE	DESCRIPTION
A	06/18/16	ISSUED FOR BID

PROJECT MANAGER	AMIT SHRIVASTAVA
CIVIL	B. HINDLEY
STRUCTURAL	B. BARTELS
ARCHITECTURAL	J. ADRIAN
PROCESS	J. LABRADOR
ELECTRICAL	J. ANDERSEN
MECHANICAL	L. WORTH
INSTRUMENTATION	D. PENNER
PROJECT NUMBER	10081621



The City of **Columbus**  
**Wastewater Treatment Facility**  
**Phase 4 Improvements**  
 Columbus, Nebraska



**CIVIL**  
**SITE DETAILS**  
 FILENAME: 00C503.DWG  
 SCALE: NOT TO SCALE

SHEET  
**00C503**

C:\pwworkspace\10222171.dwg, 10/22/21 AM, 10/22/21